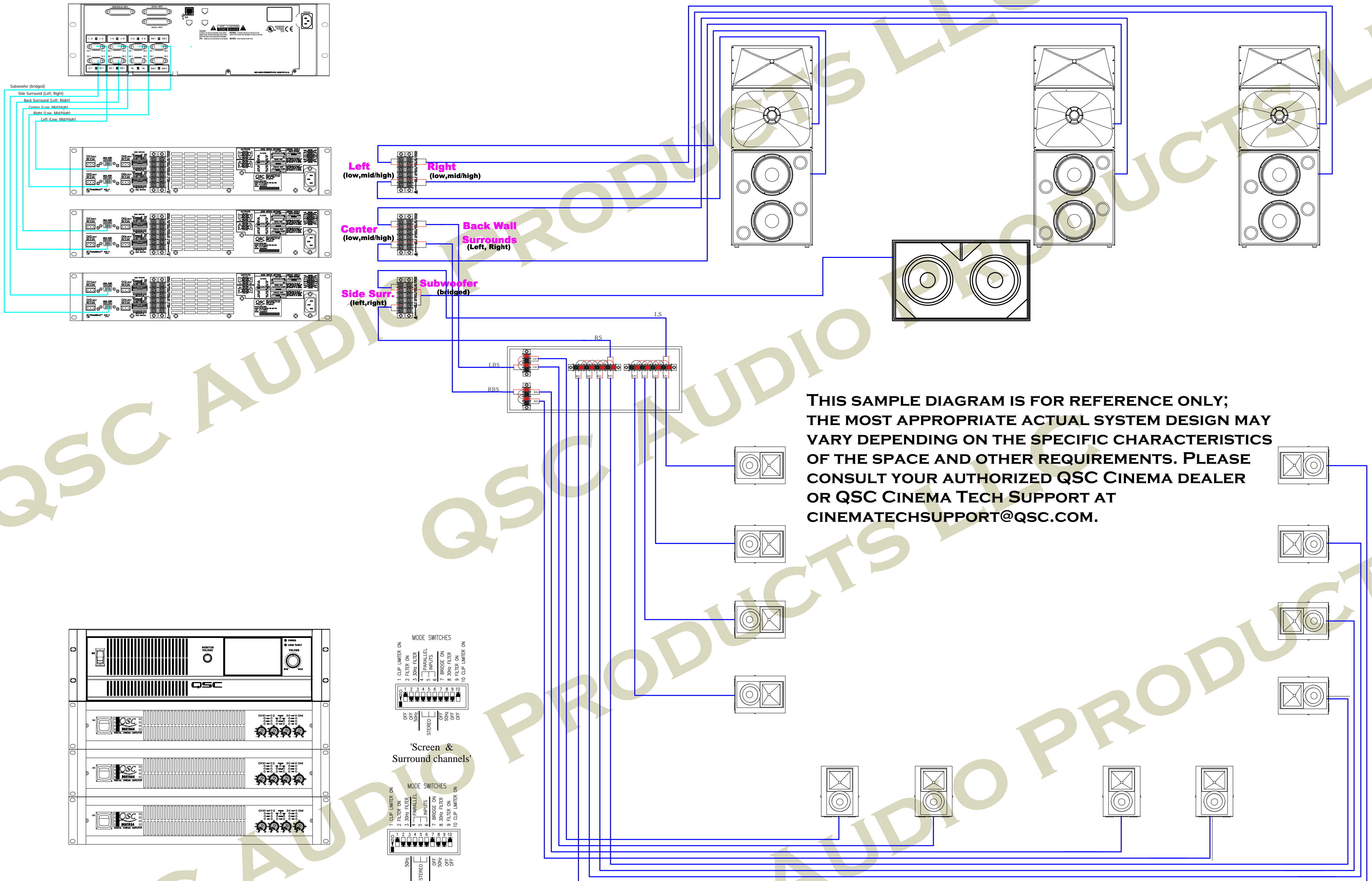
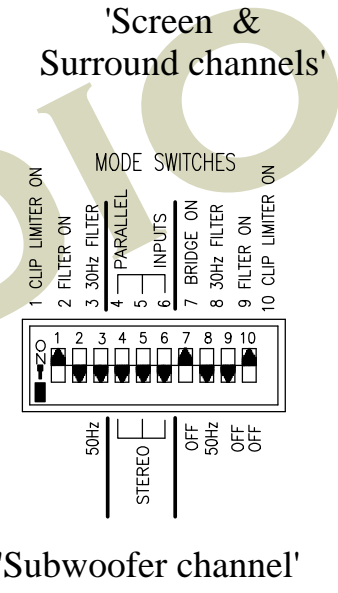
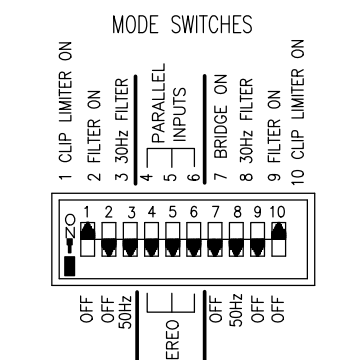
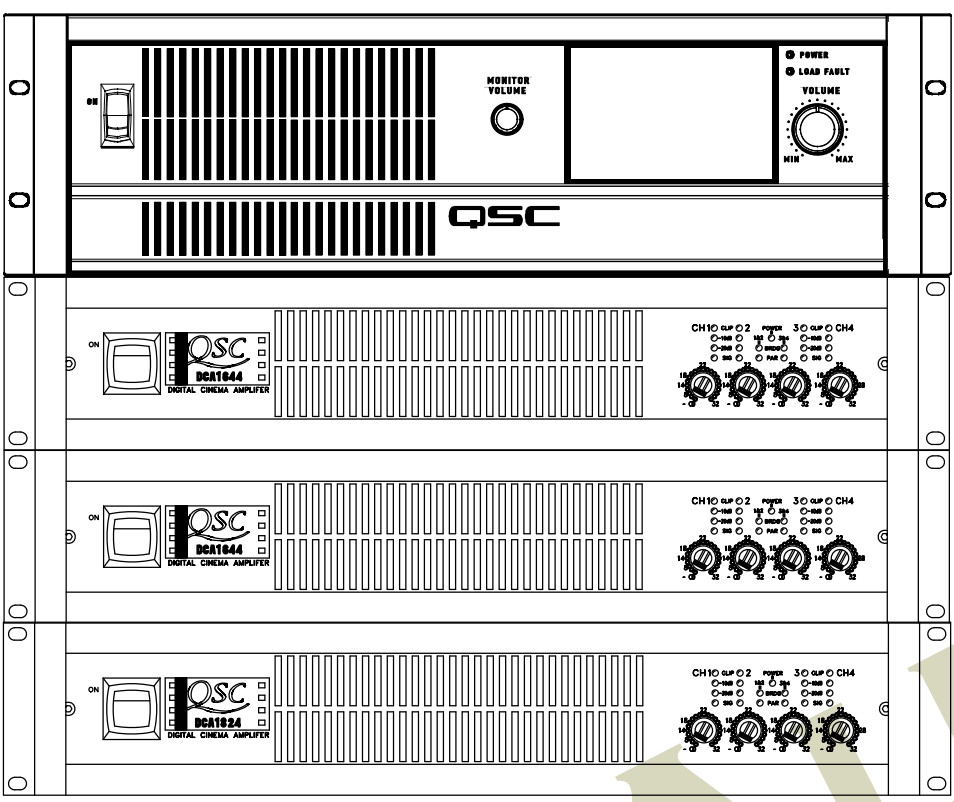


DataPort cable
 Power Output (speaker)



**THIS SAMPLE DIAGRAM IS FOR REFERENCE ONLY;
 THE MOST APPROPRIATE ACTUAL SYSTEM DESIGN MAY
 VARY DEPENDING ON THE SPECIFIC CHARACTERISTICS
 OF THE SPACE AND OTHER REQUIREMENTS. PLEASE
 CONSULT YOUR AUTHORIZED QSC CINEMA DEALER
 OR QSC CINEMA TECH SUPPORT AT
 CINEMATECHSUPPORT@QSC.COM.**



QSC AUDIO PRODUCTS, LLC
 Site: _____
 Theatre #: _____ Version: _____
HV50
SC-323C - BI AMPED
 Drawing by: SH Date: JAN. 23RD, 2014